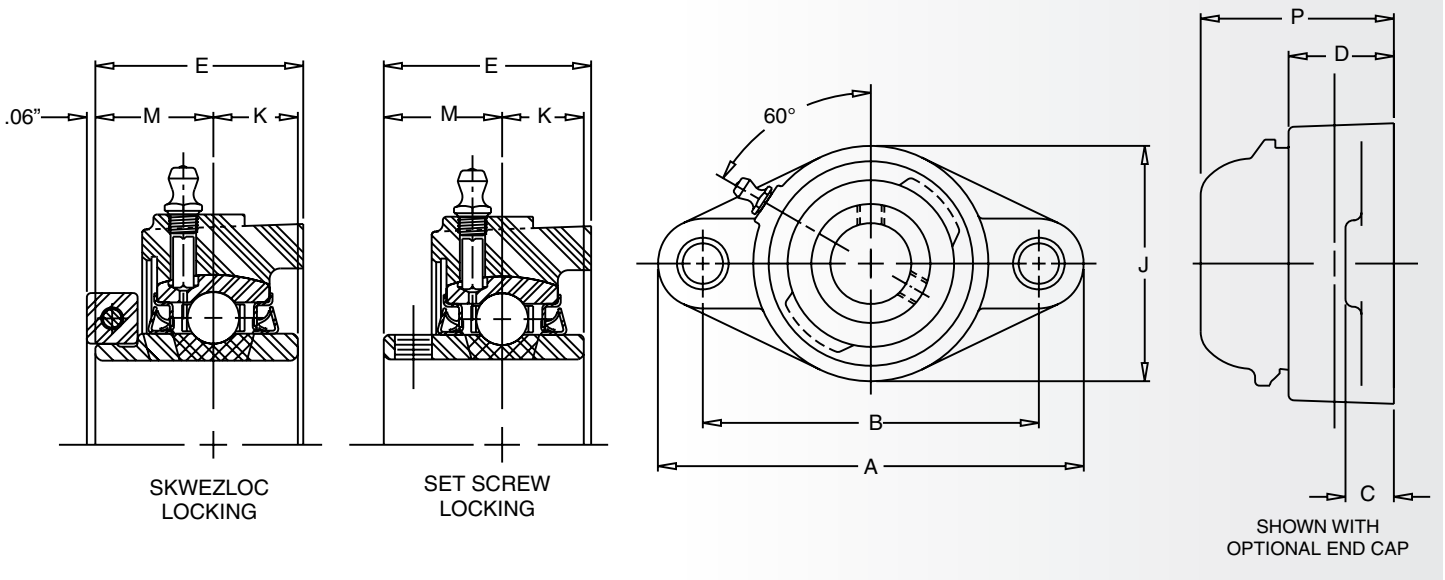


CRFTC-PN, CRFTC-PN T Series 2 Bolt Flange / Composite Housings

Set Screw Description	SKWEZLOC Description	Shaft Size	A	B	C	D	E	J
CRFTC-PN12	CRFTC-PN12T	3/4	4 15/32	3 17/32	7/16	31/32	1 9/32	2 7/16
CRFTC-PN16	CRFTC-PN16T	1	4 15/16	3 57/64	17/32	1 5/64	1 7/16	2 23/32
CRFTC-PN19	CRFTC-PN19T	1 3/16	5 11/16	4 19/32	17/32	1 7/32	1 9/16	3 1/4
CRFTC-PN20R	CRFTC-PN20RT	1 1/4	5 11/16	4 19/32	17/32	1 7/32	1 9/16	3 1/4
CRFTC-PN20	CRFTC-PN20T	1 1/4	6 21/64	5 1/8	9/16	1 11/32	1 3/4	3 45/64
CRFTC-PN23	CRFTC-PN23T	1 7/16	6 21/64	5 1/8	9/16	1 11/32	1 3/4	3 45/64
CRFTC-PN24	CRFTC-PN24T	1 1/2	6 29/32	5 21/32	9/16	1 1/2	2 1/64	4 7/64

Mounted Ball Bearings



CRFTC-PN, CRFTC-PN T Series 2 Bolt Flange / Composite Housings

K	M	P	Bolt Size	Open Cap	Closed Cap	Backside Shield	Setscrew Description	SKWEZLOC Description
1/2	23/32	2 13/64	3/8	ECO-12	ECC-12	2BSS-12	CRFTC-PN12	CRFTC-PN12T
9/16	13/16	2 23/64	7/16	ECO-16	ECC-16	2BSS-16	CRFTC-PN16	CRFTC-PN16T
5/8	7/8	2 31/64	7/16	ECO-19	ECC-19	2BSS-19	CRFTC-PN19	CRFTC-PN19T
5/8	7/8	2 31/64	7/16	ECO-20R	ECC-19	2BSS-20R	CRFTC-PN20R	CRFTC-PN20RT
11/16	1	2 43/64	1/2	ECO-20	ECC-23	2BSS-20	CRFTC-PN20	CRFTC-PN20T
11/16	1	2 43/64	1/2	ECO-23	ECC-23	2BSS-23	CRFTC-PN23	CRFTC-PN23T
3/4	1 3/16	2 15/16	1/2	ECO-24	ECC-24	2BSS-24	CRFTC-PN24	CRFTC-PN24T

BEARINGS

Corrosion Resistant Engineered Solutions

